

# Product Data Sheet

## Astro Duct Wrap

Revision 4 - 17th January 2020



## Astro Duct Wrap

### Intumescent Duct Wrap

- Duct Wraps Tested to EN1366-3
- European Fire Resistance Classification: EI120 minutes (Integrity & Insulation)
- Wraps provide up to 2 Hr Integrity & Insulation to rectangular PVC ventilation ducting penetrations.
- Simple & quick to install
- Low profile design allows installation close soffit.
- Available to fit most common vent duct sizes
- Only one wrap needed per penetration
- Tested to EN1366-3 in Plasterboard using Steel Sleeves



#### Product Description

Duct wraps designed to provide simple and effective fire resistance for up to 2 hours to plastic vent ducting penetrations.

These duct wraps provide 120 minutes integrity and insulation protection having been fire tested in an Open/Open pipe/duct end configuration, to the most onerous requirements of EN 1366-3.

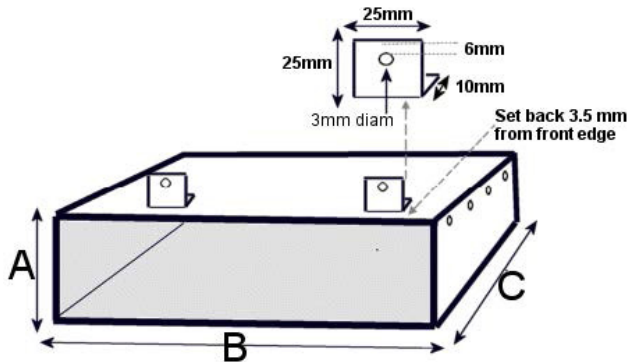
Installation is straight forward due to the four segment design and slide into the wall construction.

Supplied in various sizes to suit all common plastic vent duct dimensions.

When fitted within a galvanised steel outer sleeve the duct wraps are suitable for penetrations through plasterboard partitions.

**Product Availability**

We do not supply steel sleeves ourselves but the dimensions for fabrication are shown below.



Wrap Size	A Height	B Width	C Length
110 x 54mm	70	124	141
234 x 29mm	44	250	141
308 x 29mm	44	324	141
150 x 70mm	92	172	141
180 x 95mm	114	202	141
204 x 60mm	82	232	141
Ø 100	Ø 128	-	141

Dimensions for spot welded construction sleeves- minimum steel thickness 0.8mm

**Product Availability**

Astroflame Duct Wraps are either 4mm or 8mm thick - check table below for available wrap sizes.

Product Code	Product Description	Size	Wrap Thickness
AFIDW110	Astro Duct Wrap 110	110 x 54mm	4mm
AFIDW150	Astro Duct Wrap 150	150 x 70mm	8mm
AFIDW180	Astro Duct Wrap 180	180 x 90mm	8mm
AFIDW204	Astro Duct Wrap 204	204 x 60mm	8mm
AFIDW234	Astro Duct Wrap 234	234 x 29mm	4mm
AFIDW308	Astro Duct Wrap 308	308 x 29mm	4mm
AFIDWC100X	Astro Duct Wrap 100 Circular	Ø 100	8mm

**To Order & Specify**

Please contact us and quote the following information - Quantity / Product Code / Product Description / Size  
Typical example:- 10 / AFIDW204 / Astro Duct Wrap 204 / 204 x 60mm

>> Tel: [01329 844 500](tel:01329844500) or >> Email: [sales@astroflame.com](mailto:sales@astroflame.com)

**Installation**

Please see installation sheet - This can be requested from our sales team T: [01329 844 500](tel:01329844500)  
or E: [sales@astroflame.com](mailto:sales@astroflame.com)

**Health and Safety**

Please see (SDS) Safety Data sheet - This can be requested from our sales team T: [01329 844 500](tel:01329844500)  
or E: [sales@astroflame.com](mailto:sales@astroflame.com)

As part of our policy of ongoing improvements, we reserve the right to modify, alter or change product specifications without giving notice. Product illustrations are representations only. All information contained in this document is provided for guidance only, and as ASTROFLAME (FIRE SEALS) LTD has no control over the specific application or installation methods of the products, or of the prevailing site conditions, no warranties expressed or implied are intended to be given as to the actual performance of the products mentioned or referred to, and no liability whatsoever will be accepted for any loss, damage or injury arising from the use of the information given of products mentioned or referred to herein.

The above information to the best of our knowledge is true and accurate and based upon current test data and is supplied for your guidance only. Customers should satisfy themselves to the suitability of the product based on the products limitation of applications and that the product is fit for purpose for their intended use and no guarantee is given or implied since the conditions of actual use are beyond our control. ASTROFLAME (FIRE SEALS) LTD, disclaim any liability for loss, damage or other expense arising from the use of information, data or products mentioned or referred to and reserve the right to change any details or specifications without notice. If you are in any doubt as to the suitability of this product for your intended application please contact our technical team on 01329 844500 or email [sales@astroflame.com](mailto:sales@astroflame.com) and we will contact you.